



MultiSlider



Autolock



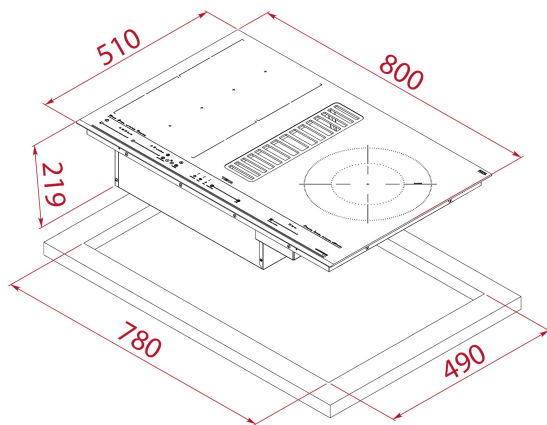
Power



Power Plus

Easy
installation

Flex



REFERENCE

REF: 112500053

EAN: 8434778020878

FEATURES

Induction hob with integrated hood
 Automatic hood activation
 Direct functions: Confit, poach, grilling, pan frying, deep frying, slimmering, melting
 Touch control multiSlider
 3 cooking zones
 Ceramic glass surface
 Auto-lock safety system
 Cooking timer
 Power Plus
 Child lock
 Residual heat indicator
 Power management
 Easy installation kit
 Maximum nominal power: 7200 (IH) + 200 (AH)
 Optional: Teppanyaki and grilling plate
 FreshAir function
 Brushless EcoPower Motor
 9 speeds
 Intensive speed sound level (dBA): 66
 Max speed sound level (dBA): 65
 Min speed sound level (dBA): 43
 2 aluminium filters with 12 layers
 Stop delay timer
 Filter saturation indicator

DIMENSIONS

Product height (mm): 219

Product width (mm): 800

Product depth (mm): 510

Product length (mm):

Net weight (Kg): 25

TECH SPECS

Power rate (V): 220-240

Frequency (Hz): 50/60

Maximum Nominal Power (W): 7200 (IH) + 200 (AH)

COLOURS



112500053

Black